



COMMERCIAL SOUP KETTLE

Project Name:

Location:

Item:

Qty.:

Model:

GSB12

Black Soup Kettle



GSB12 Black Soup Kettle

General Soup Kettles are rugged and built for efficient performance. An adjustable temperature control knob provides precision operating capabilities to keep product at the perfect temperature at all times. The stainless steel ladle, hinged lid, and interior lining will withstand continued use and are designed for easy cleaning.

FEATURE LIST

Model:	GSB12
Capacity:	12 Qt / 11.4 L
Electrical:	120/60/1, 220/50-60/1
Control Method:	Adjustable Temp Control
Wattage:	400
Amperage:	3.3 / 1.8
Exterior:	Graphite Black
Interior:	Stainless Steel Liner
Net/Shipping Weights:	10 / 12 lb (4.5 / 5.5 kg)
Dimensions:	13" Dia. x 15" H 330mm Dia. X 381 mm H



Specifications subject to change without notice.

Approvals:

Note: This soup kettle is to be used for warming and not cooking.



GENERAL

3355 Enterprise Ave • Suite 160 • Ft. Lauderdale, FL 33331

Tel: 954.202.7419 • Fax: 954.202.7337 • www.asburyfoodservice.com

General's continuing commitment to quality products may mean a change in specification or pricing without notice.



Project Name:

Location:

Item:

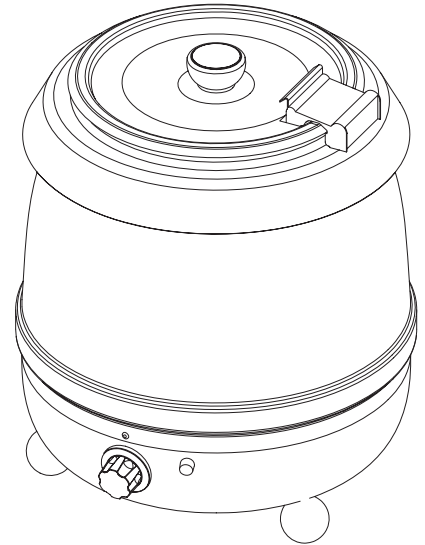
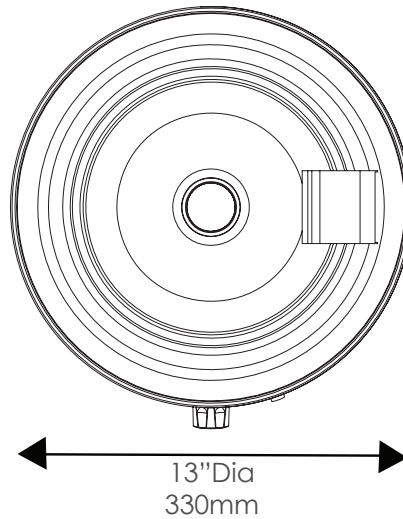
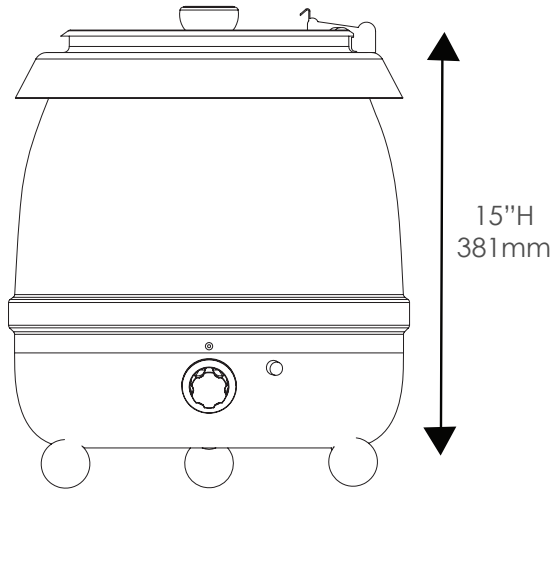
Qty.:

Model:

GSB12

Black Soup Kettle

PLAN VIEW



Dimensional Data

Model	Capacity	Electrical	Control Method	Wattage	Amperage	Interior/ Exterior	Net/ Shipping Weights	Dimensions
GSB12	12 Qt 11.4 L	120/60/1, 220/50-60/1	Adjustable Temp Control	400	3.3 / 1.8	Stainless Steel/ Graphite Black	10 / 12 lb (4.5 / 5.5 kg)	13" Dia. x 15" H 330mm Dia. X 381 mm H

- 12 Qt (11.4 L) capacity
- 12 temperature adjustable control knob
- Graphite black exterior
- Stainless steel hinged lid and interior lining
- Stainless steel ladle included

- Indicator light illuminates when unit is on
- Used for warming operations only

Note: This soup kettle is to be used for warming and not cooking.



GENERAL

3355 Enterprise Ave • Suite 160 • Ft. Lauderdale, FL 33331
 Tel: 954.202.7419 • Fax: 954.202.7337 • www.asburyfoodservice.com
 General's continuing commitment to quality products may mean a change in specification or pricing without notice.